

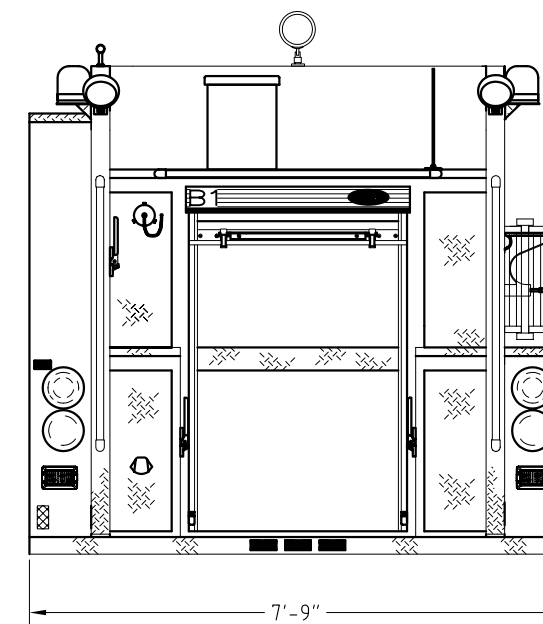
E-ONE
Ocala, FL
SO.000000
S300 SERIES PUMPER
H234 TYPHOON 4X2 CHASSIS

1250 GPM HALE QFLO PUMP		HOSELOAD:	
1000 GALLON WATER TANK		NFPA COMPLIANT	

COMPT.	OPENING		INTERIOR DIMENSION			
			34W	14H	12D	UPPER
L1	34W	68H	34W	58H	24D	LOWER
R1	34W	28H	34W	28H	24D	
L2	56W	36H	56W	40H	12D	
R2	54W	28H	54W	28H	24D	
L3	54W	68H	54W	40H	12D	UPPER
			54W	28H	24D	LOWER
B1	36W	51H	38W	19H	17D	UPPER
			38W	28H	24D	LOWER

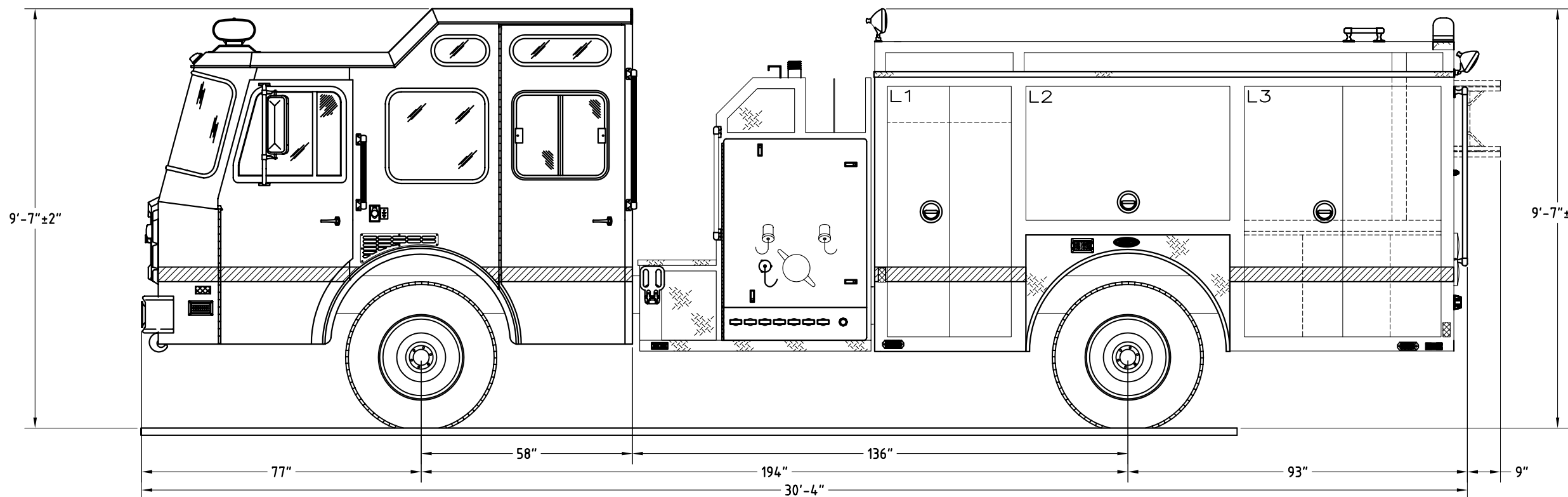
THIS DRAWING IS FOR REFERENCE PURPOSES. ALL DIMENSIONS ARE SUBJECT TO MINOR VARIATIONS DUE TO MANUFACTURING PROCESSES.

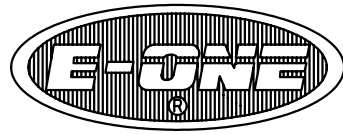
This print is the property of Emergency One, Inc. and is loaned to you subject to return on demand, unless otherwise agreed to in writing by Emergency One, Inc. Its contents are confidential and must not be copied or submitted to third parties for use or examination.



HOSEBED HEIGHT:
 (FOR REFERENCE ONLY)
 TO TAILBOARD: 64"
 TO GROUND: 88"

CROSSLAY HEIGHT:
 (FOR REFERENCE ONLY)
 TO RUNNING BOARD: 57"
 TO GROUND: 81"





E-ONE
OCALA, FL
SO.000000
S300 SERIES PUMPER
H234 TYPHOON 4X2 CHASSIS

